

CONTENTS :

PAGE1 - CONTENTS

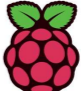
PAGE2 - POWER, MODULE, GPIO, JTAG

PAGE3 - CSI, DSI, HDMI, USB

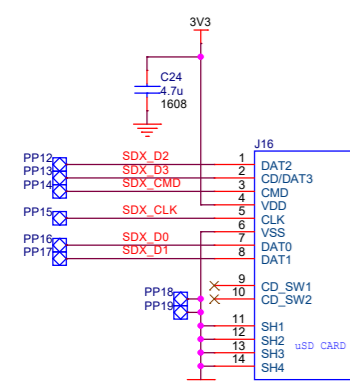
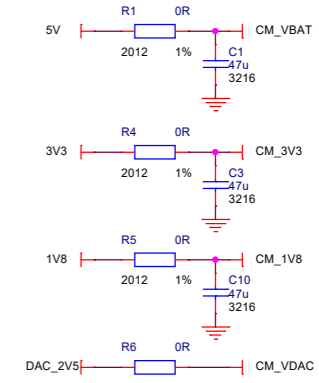
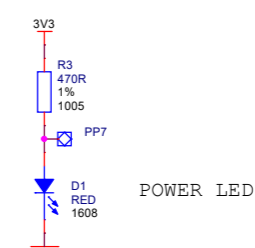
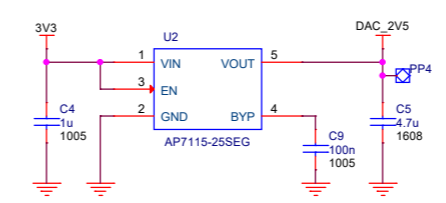
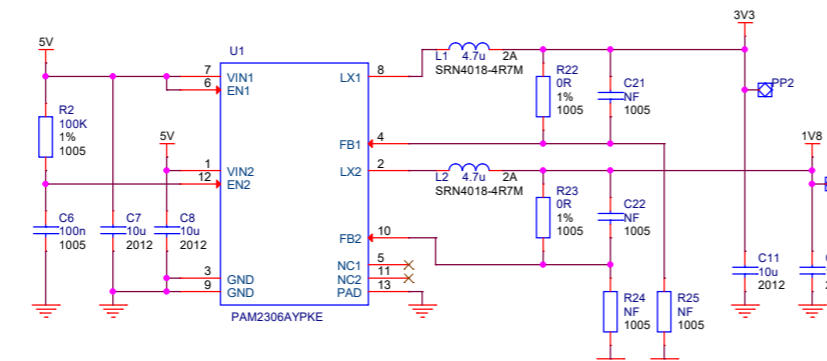
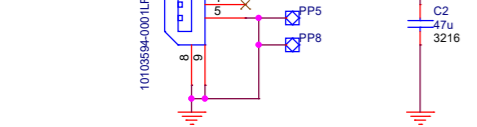
REVISION HISTORY:

10/04/2014 - V1.2 - Production Version

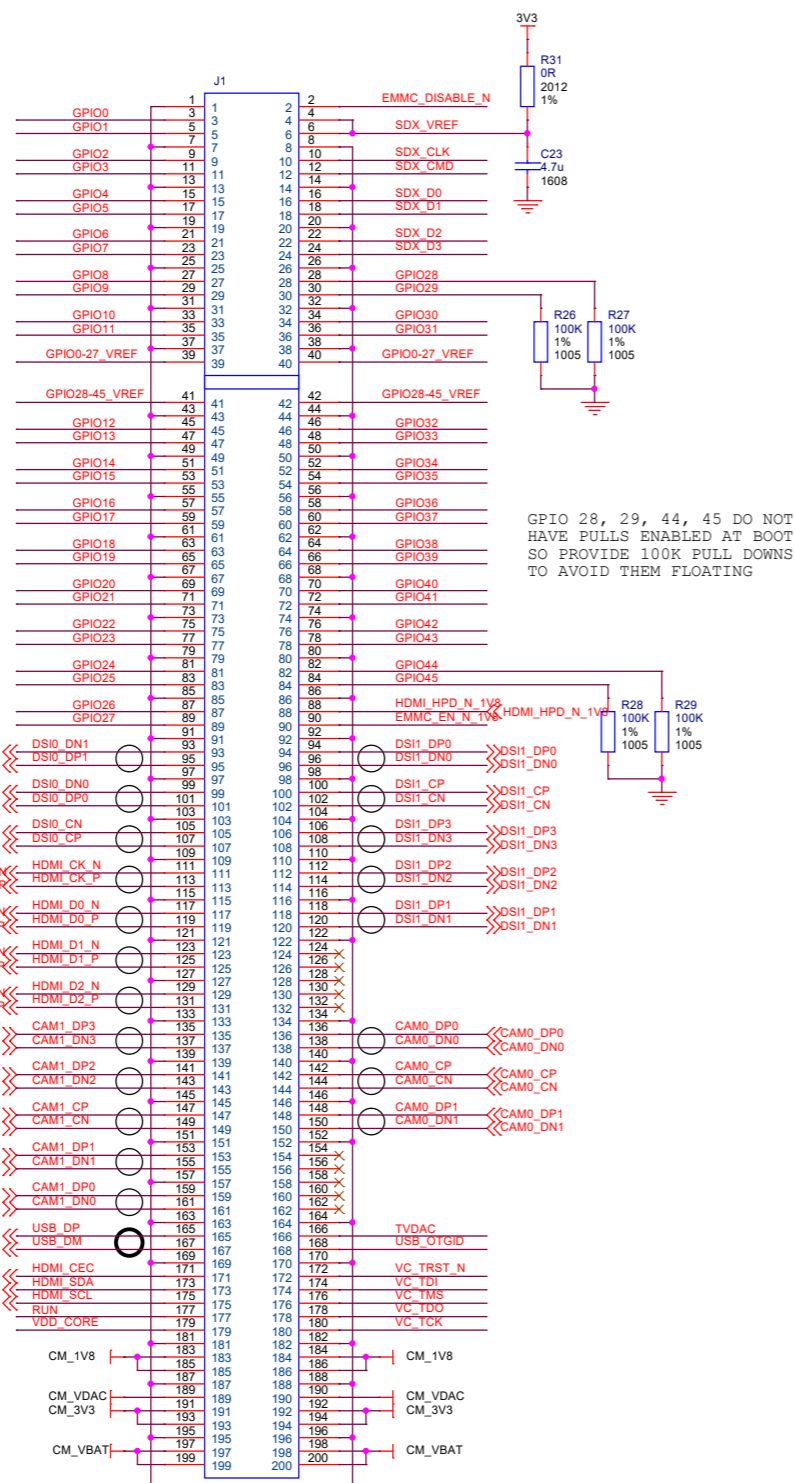
13/10/2016 - V3.0 - Production Version

		© Raspberry Pi 2015 www.raspberrypi.org	
Title Raspberry Pi Compute Module IO Board		Drawn By James Adams	
Size A3	Ref RPI-CMIO		Rev 3.0
Date: Thursday, October 13, 2016		Sheet 1 of 3	

POWER IN



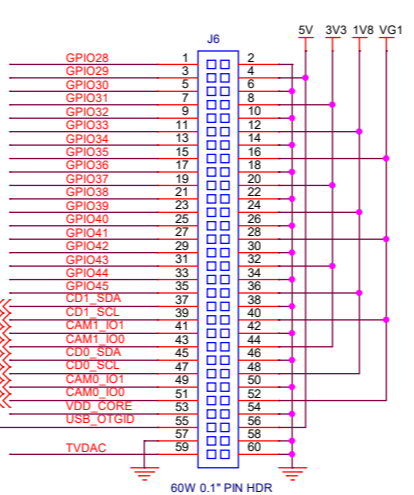
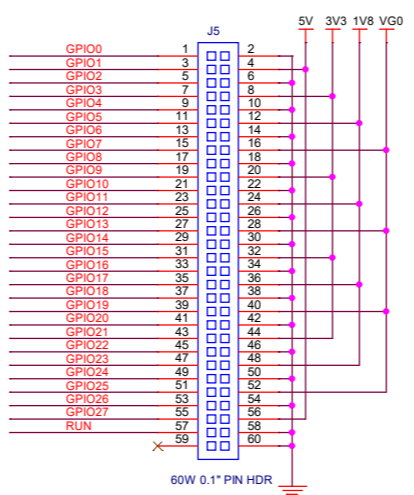
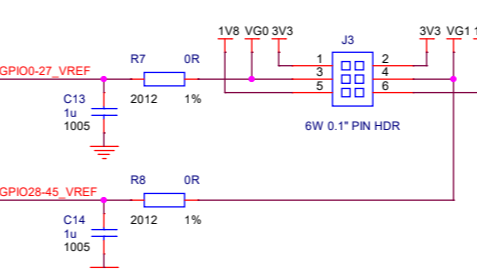
SD Card for modules with no on-board Flash (eMMC)



GPIO 28, 29, 44, 45 DO NOT HAVE PULLS ENABLED AT BOOT SO PROVIDE 100K PULL DOWNS TO AVOID THEM FLOATING

GPIO BANK 0/1 VOLTAGE SELECT:

Jumper Positions VG0 / VG1:
 1-3 / 2-4 = 3V3
 3-5 / 4-6 = 1V8
 NC = external source

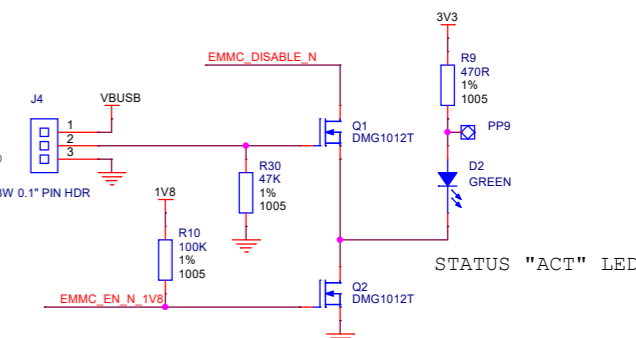


MODULE BOOT OPTIONS:

- BCM2835 BootROM boot from USB:
 - J4 set to enable USB boot
 - Plug host into micro USB socket J15 (VBUS=5V)
 - EMMC EN N 1V8 high at boot (input with 1.8k pullup)
 - EMMC_DISABLE_N therefore LOW
 - On power up BCM2835 can't access eMMC so boots from USB
 - Once booted, 2835 USB boot SW forces EMMC_EN_N_1V8 to enable access to eMMC
- BCM2835 BootROM boot from eMMC:
 - Nothing plugged into micro USB socket J15 (VBUS=0V)
 - OR J4 set to disable USB Boot
 - EMMC_DISABLE_N therefore HIGH
 - On power up BCM2835 boots from eMMC
 - EMMC_EN_N_1V8 can be used as status LED

USB BOOT ENABLE:

Jumper Positions:
 1-2 = USB BOOT ENABLED
 2-3 = USB BOOT DISABLED



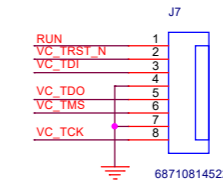
STATUS "ACT" LED

Route ringed signals as matched length 100R differential pairs

Route bold-ringed signals as matched length 90R differential pair

VDD_CORE used for module test only (do not use in normal operation, do not draw current from this pin!)

VIDEOCORE JTAG



Raspberry Pi © Raspberry Pi 2015
 www.raspberrypi.org

Title	Raspberry Pi Compute Module IO Board	Drawn By	James Adams
Size	A2	Ref	RPI-CMIO
Date	Thursday, October 13, 2016	Sheet	2 of 3

