

CONTENTS :

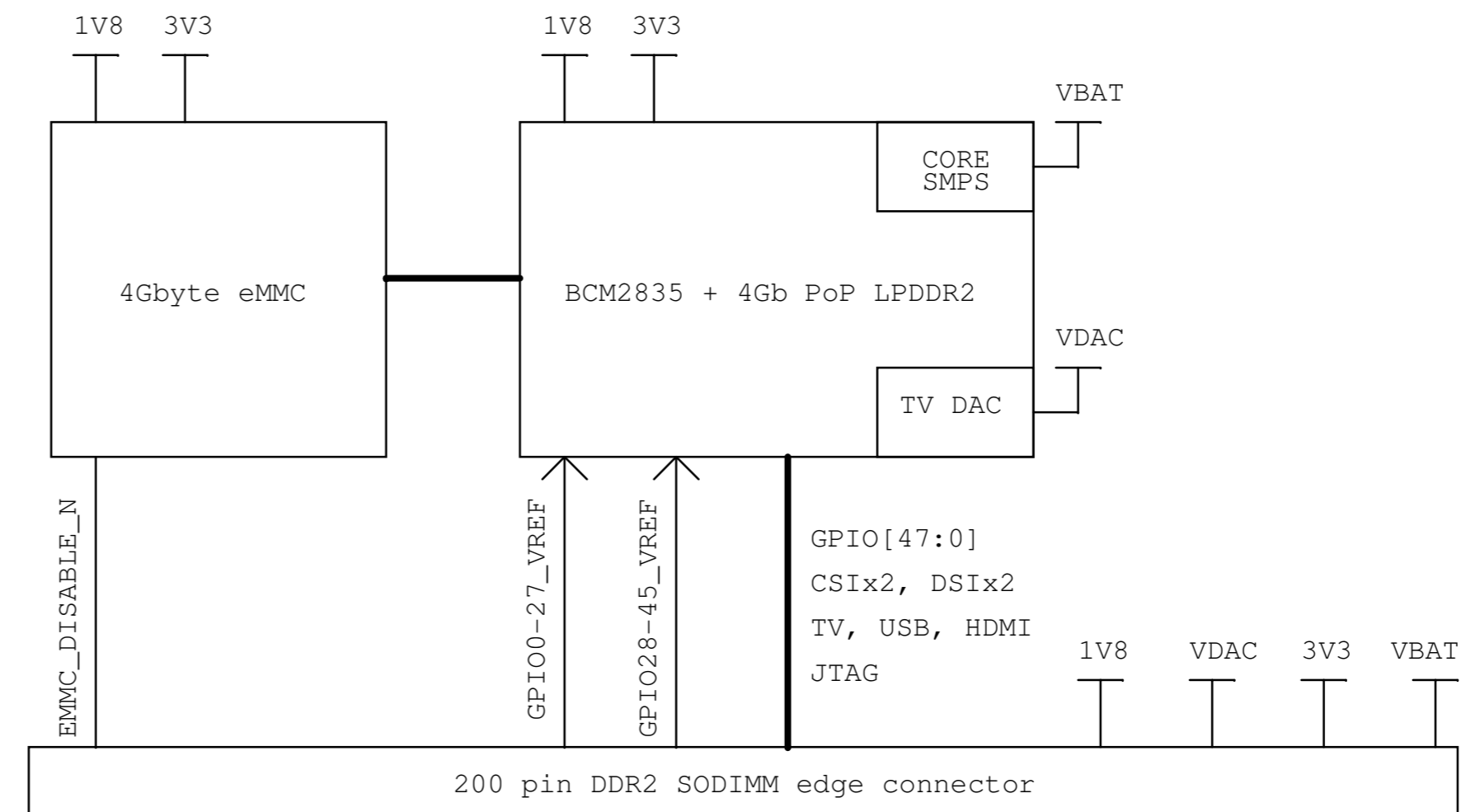
PAGE1 - BLOCK DIAGRAM, CONTENTS

PAGE2 - POWER, OSC

PAGE3 - I/O, eMMC

PAGE4 - SODIMM CONNECTOR

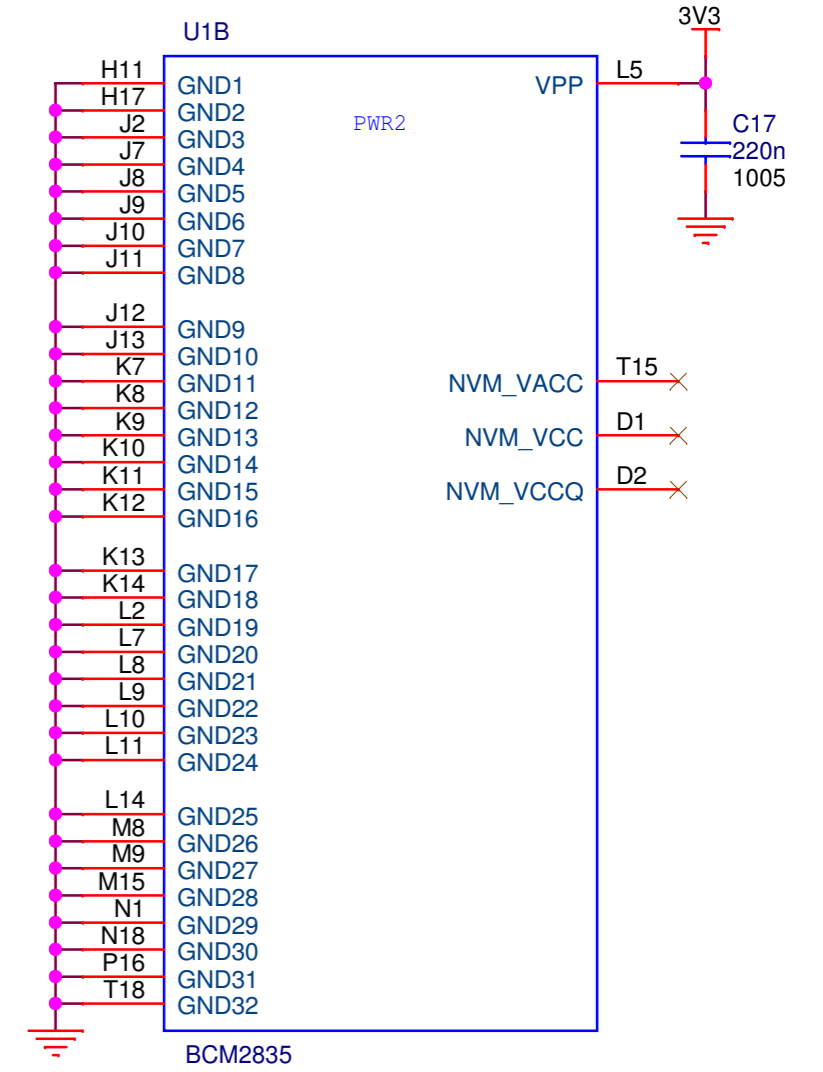
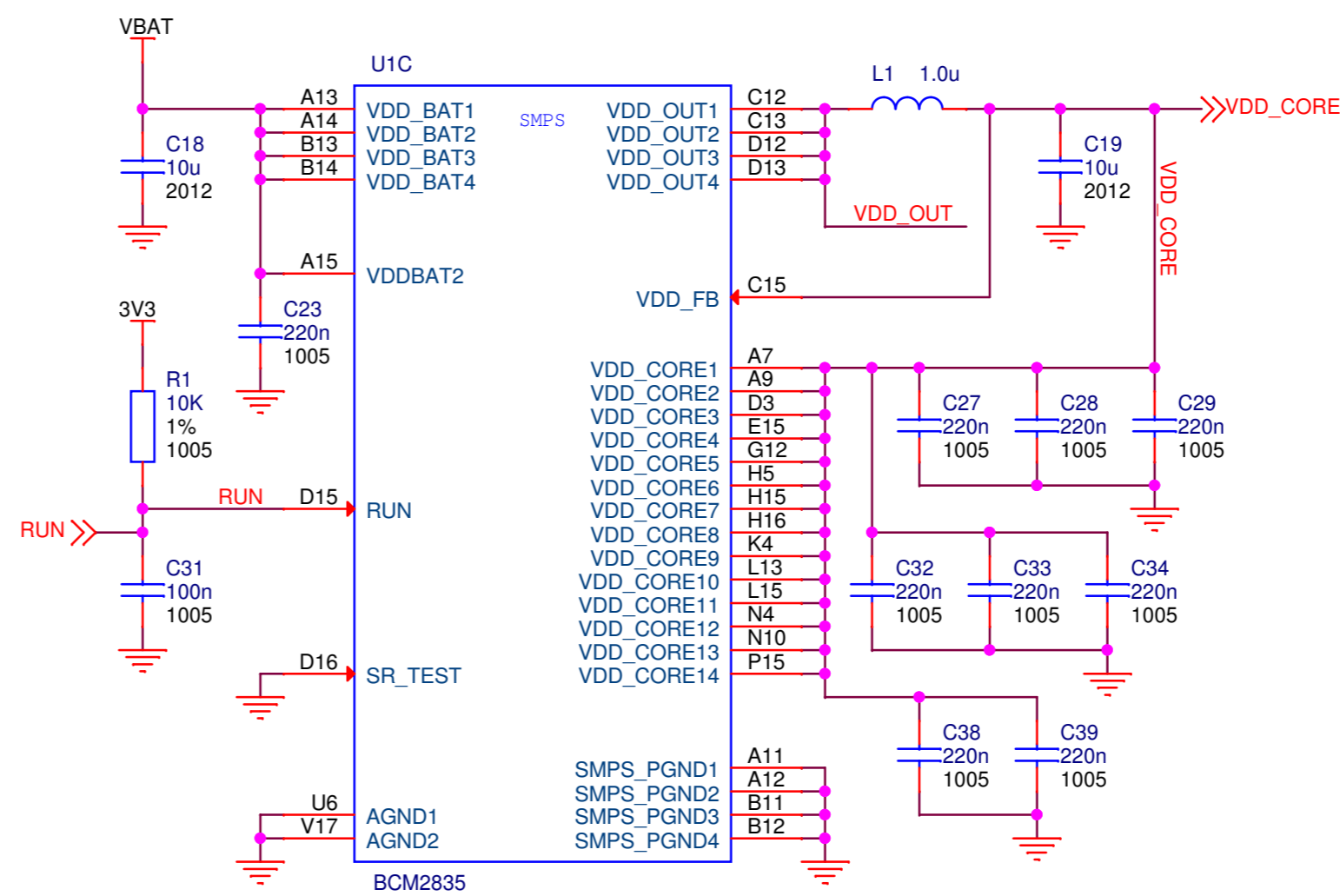
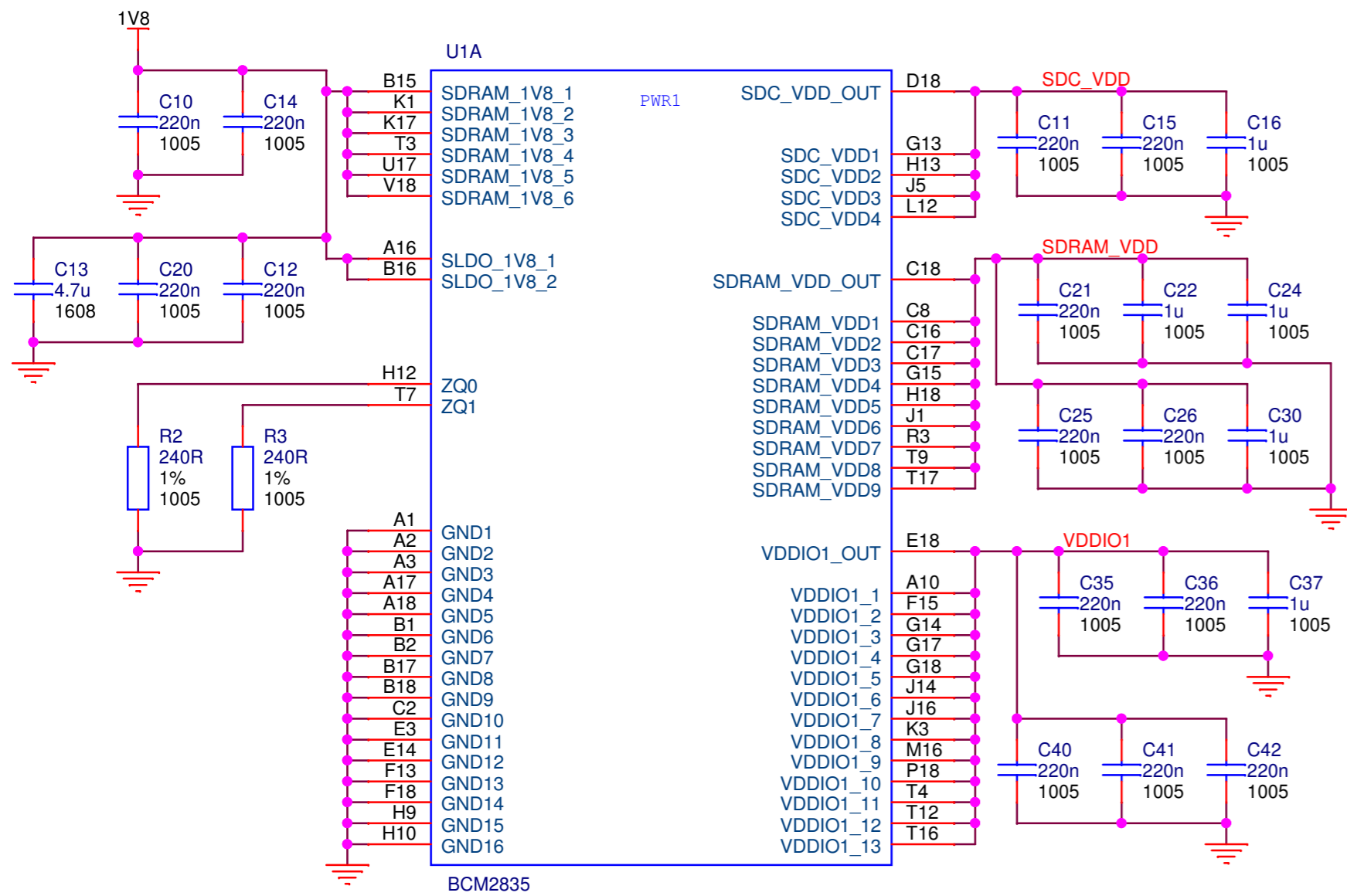
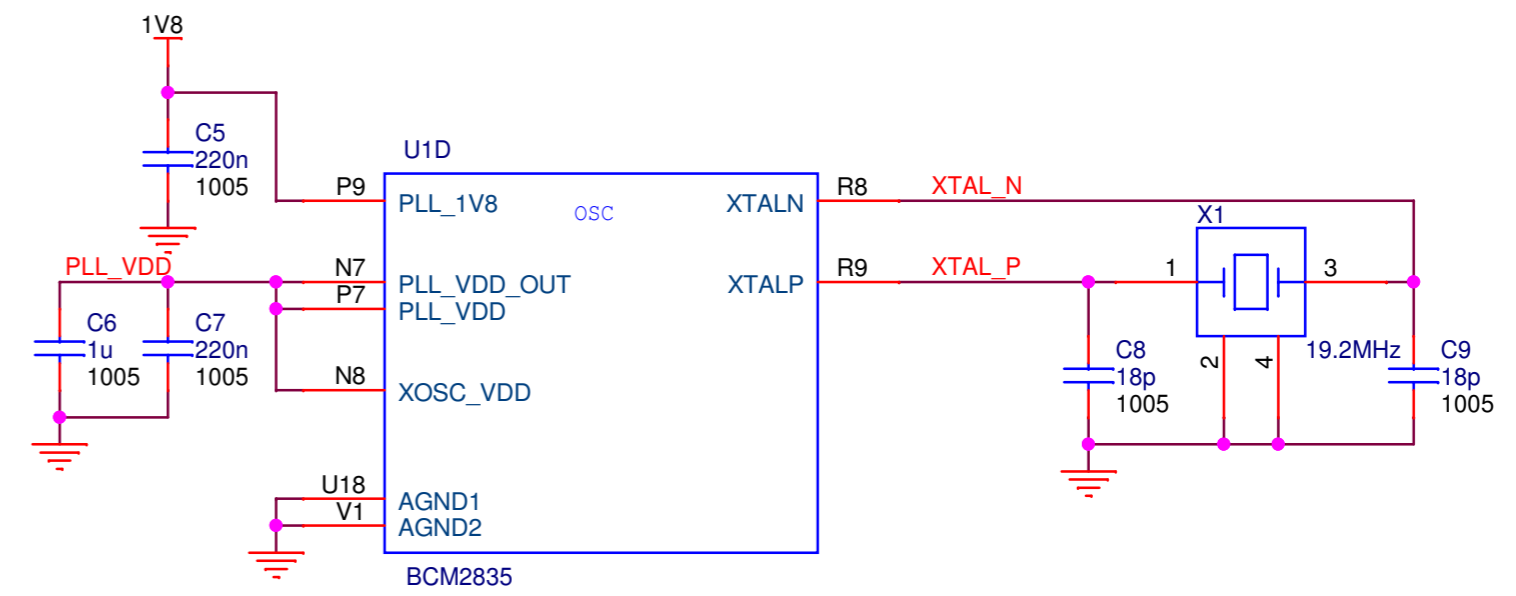
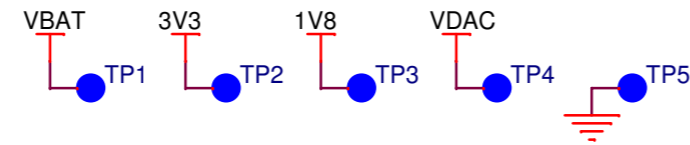
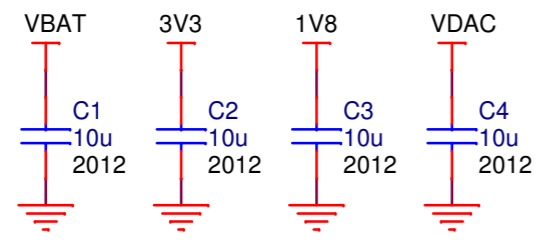
BLOCK DIAGRAM:



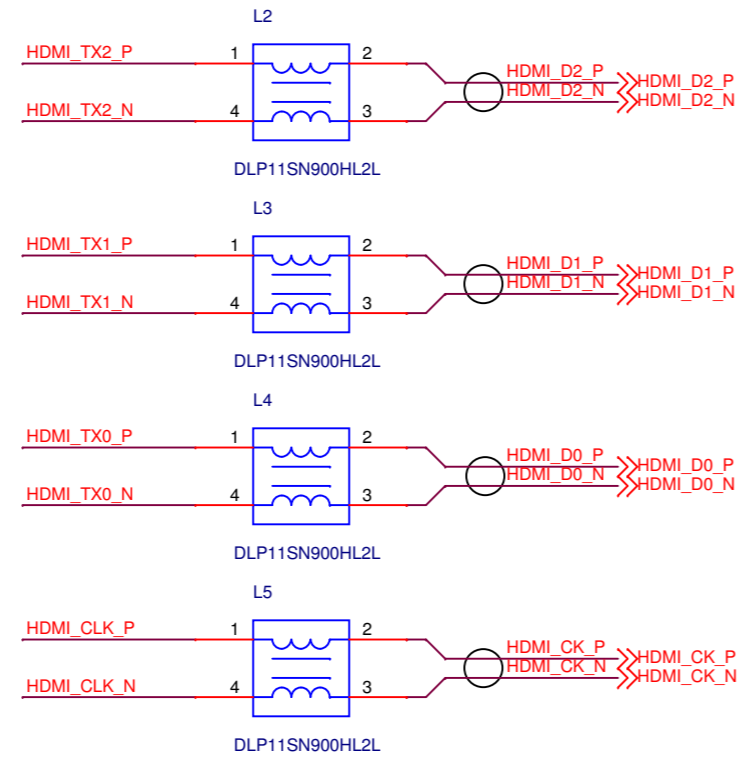
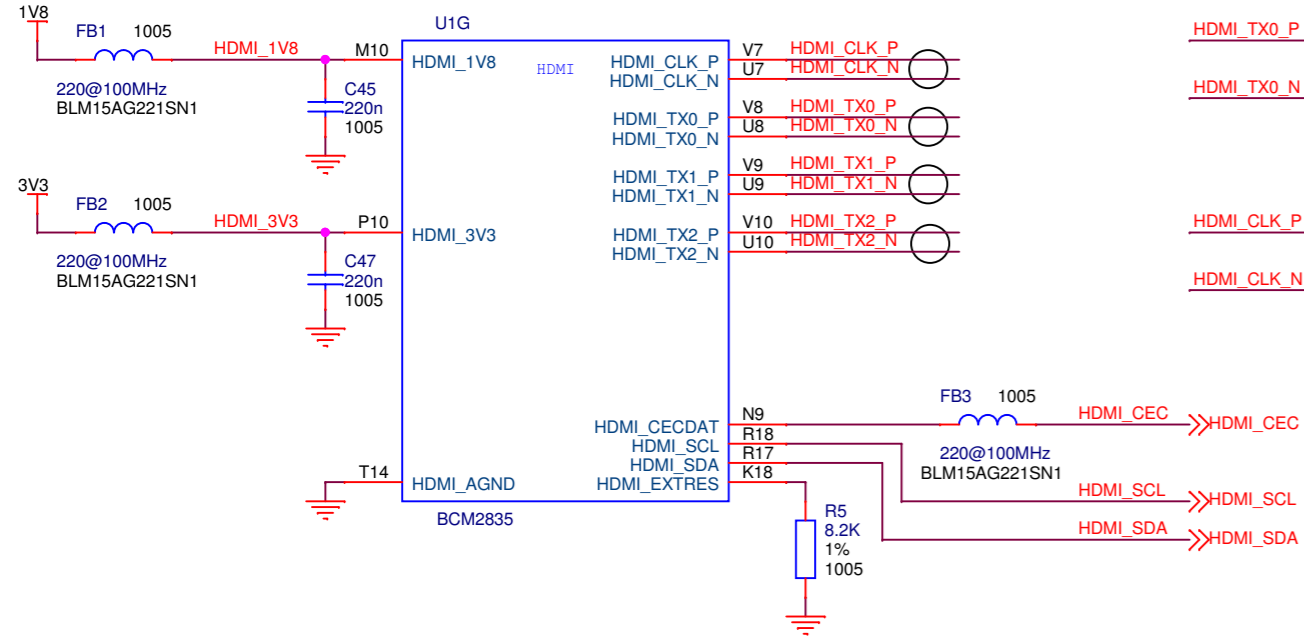
REVISION HISTORY:

23/01/2014 - V1.0

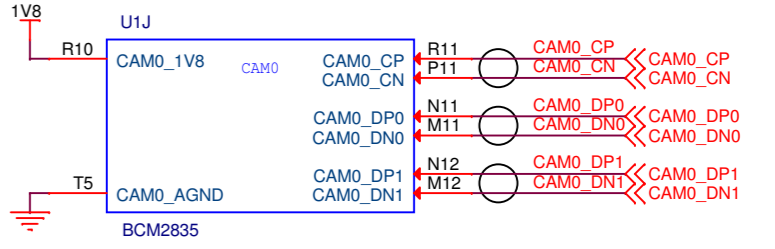
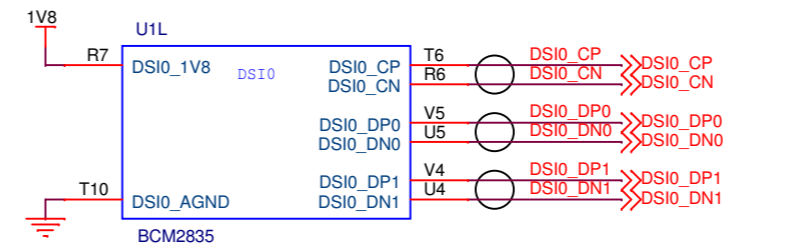
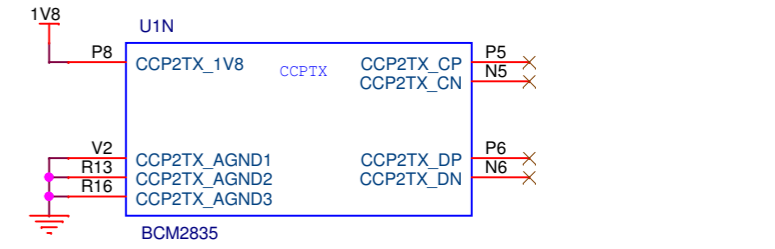
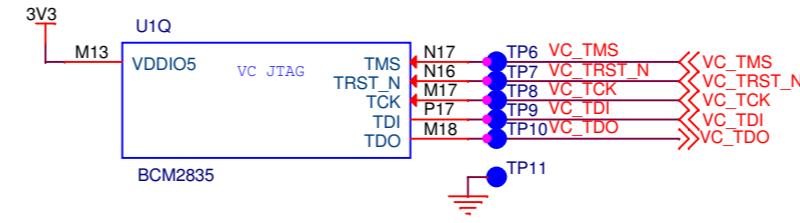
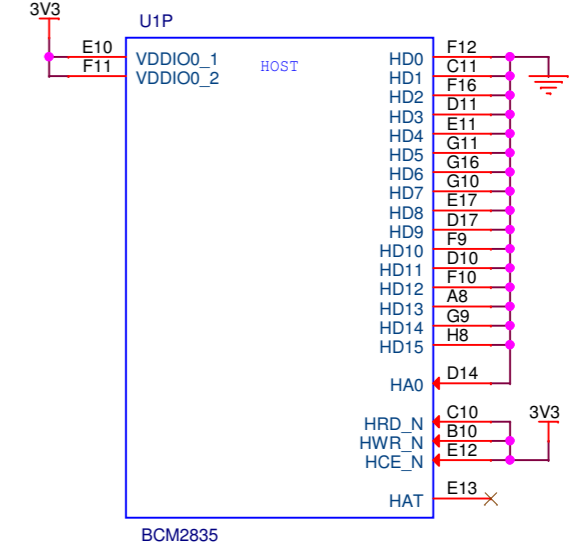
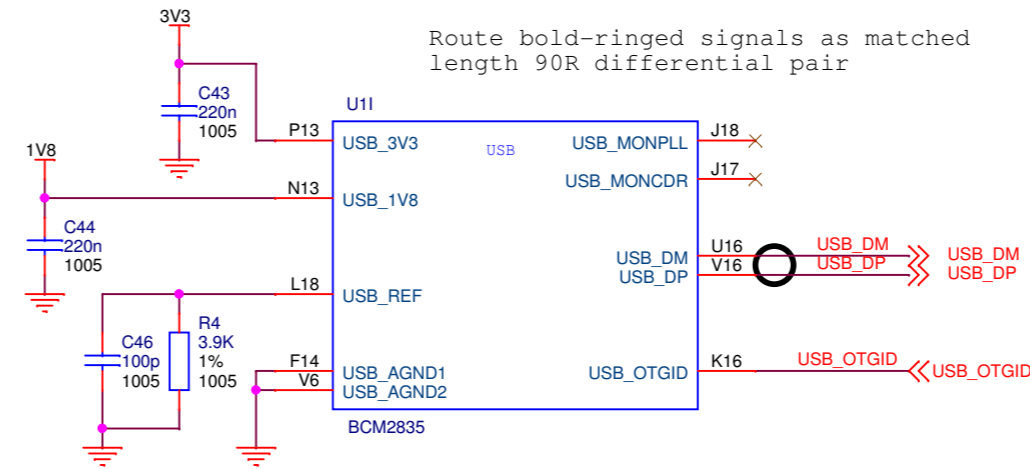
03/04/2014 - V1.1 - Production Version



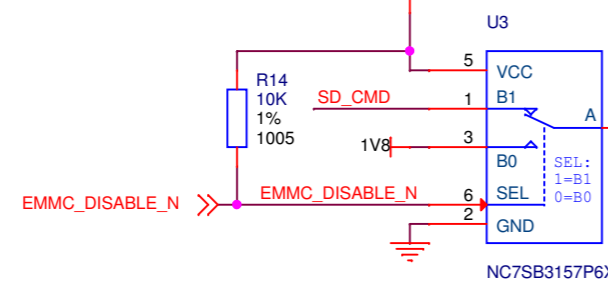
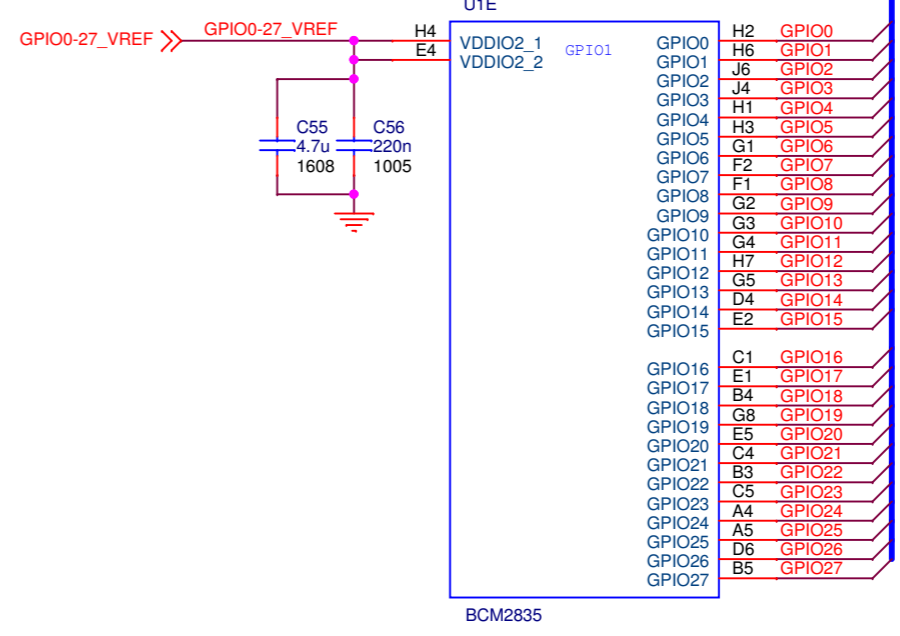
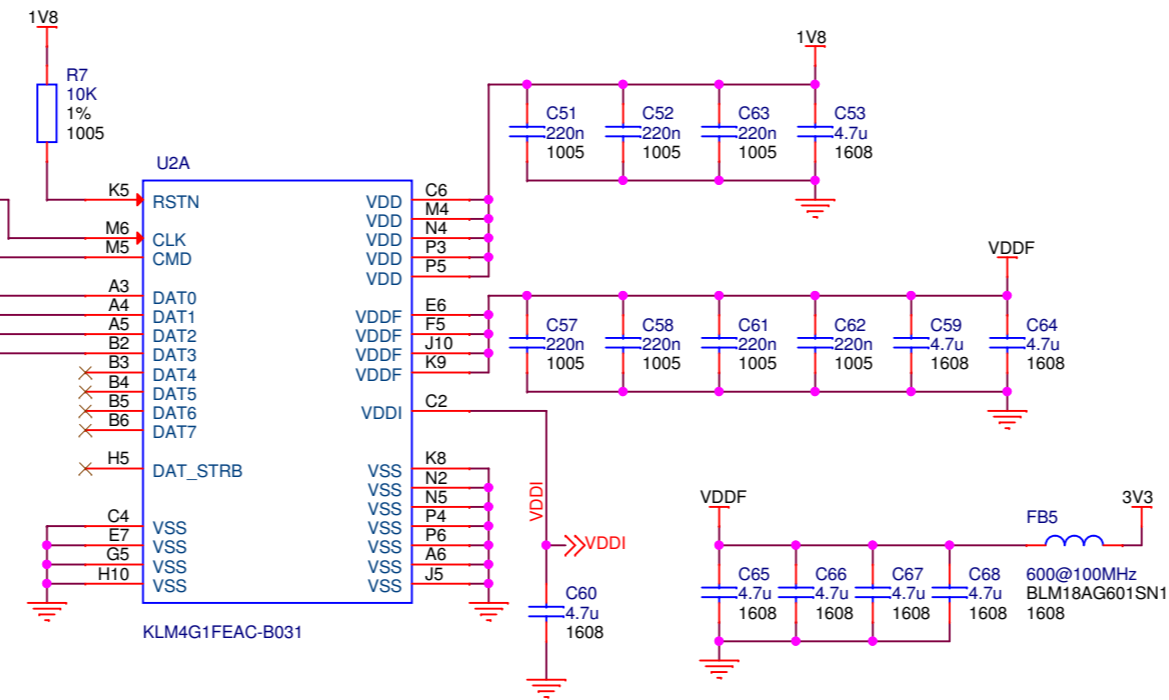
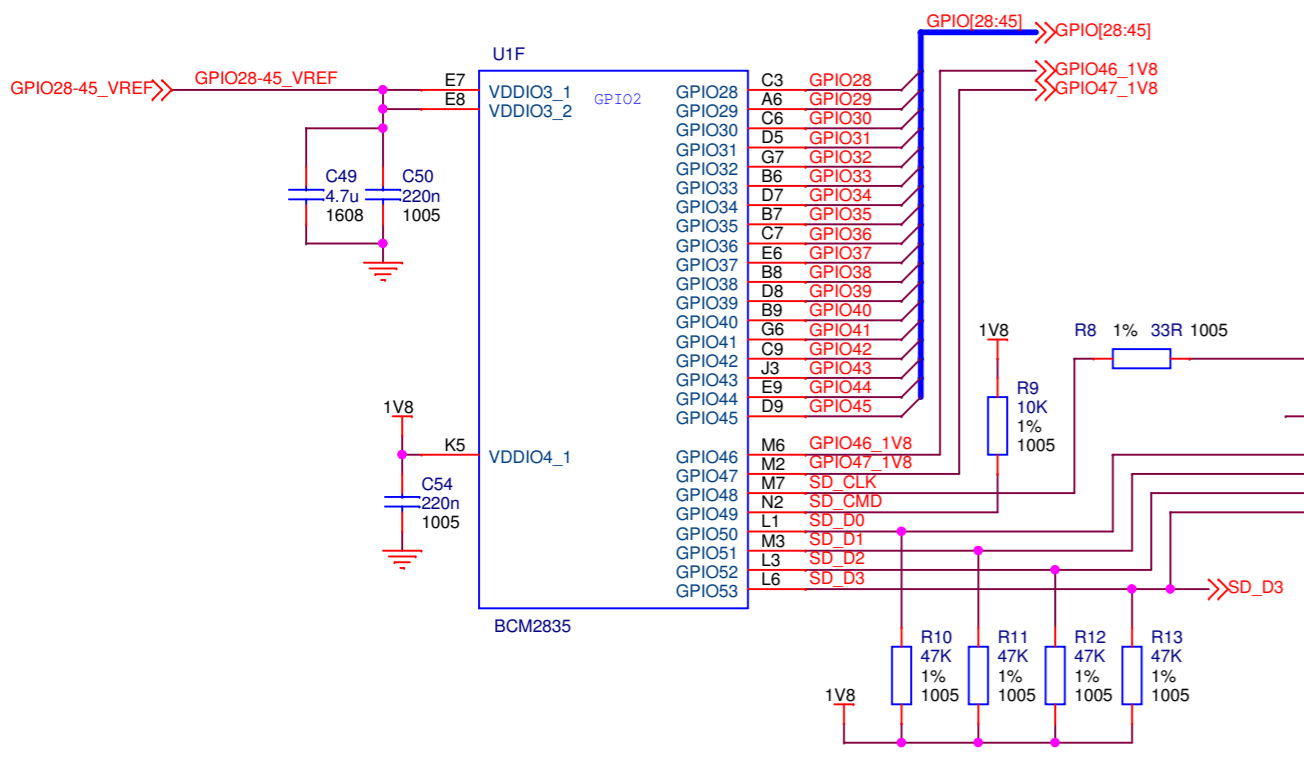
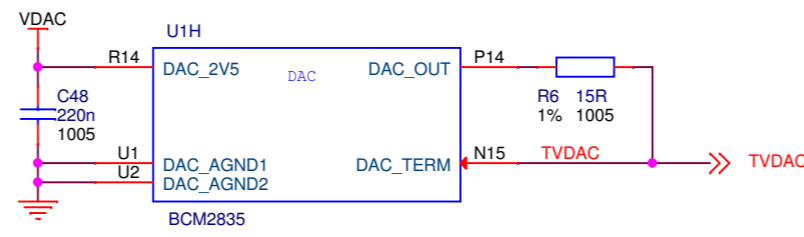
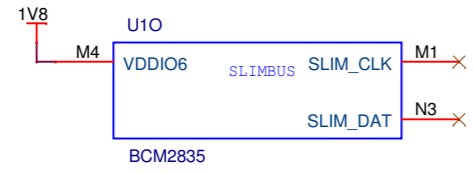
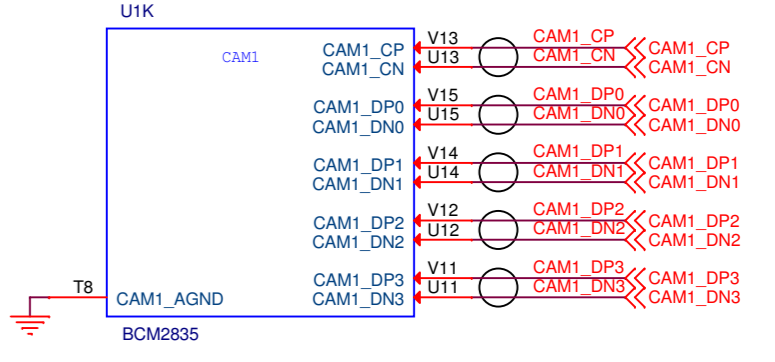
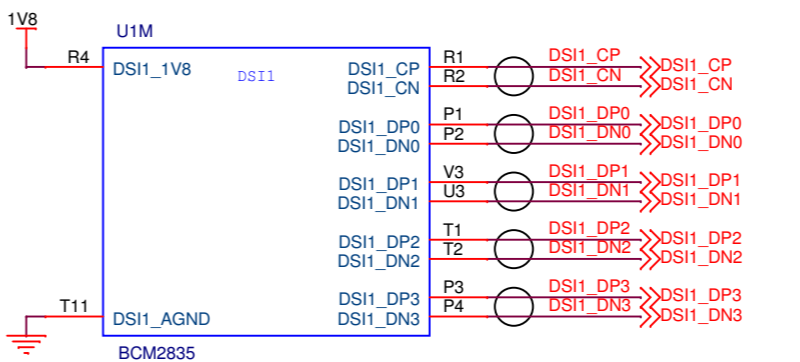
Route ringed signals as matched length 100R differential pairs



Route bold-ringed signals as matched length 90R differential pair



Route ringed signals as matched length 100R differential pairs



BCM2835 will fail to boot from eMMC if EMMC_DISABLE_N is LOW and will therefore fall back to booting from USB.

